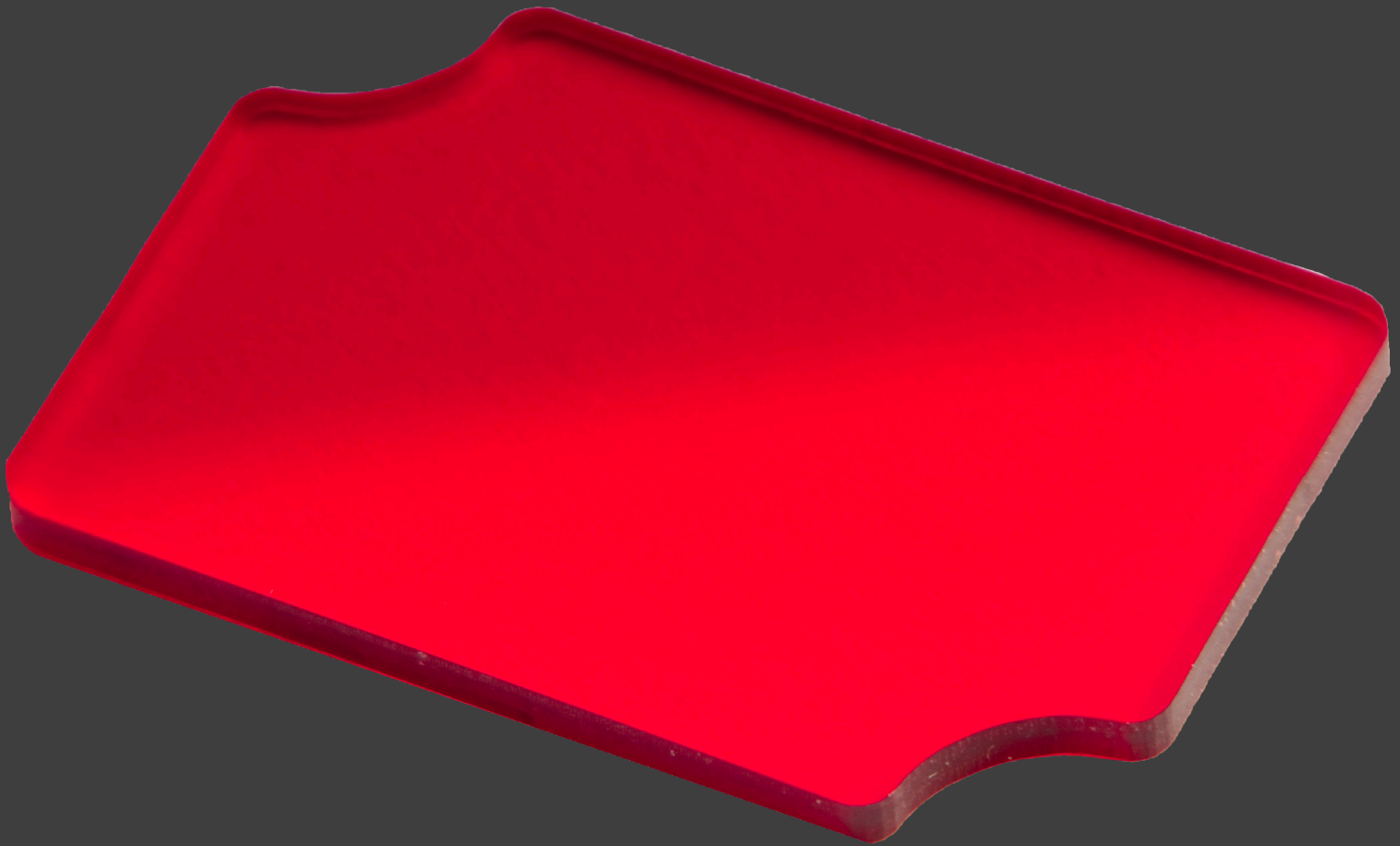


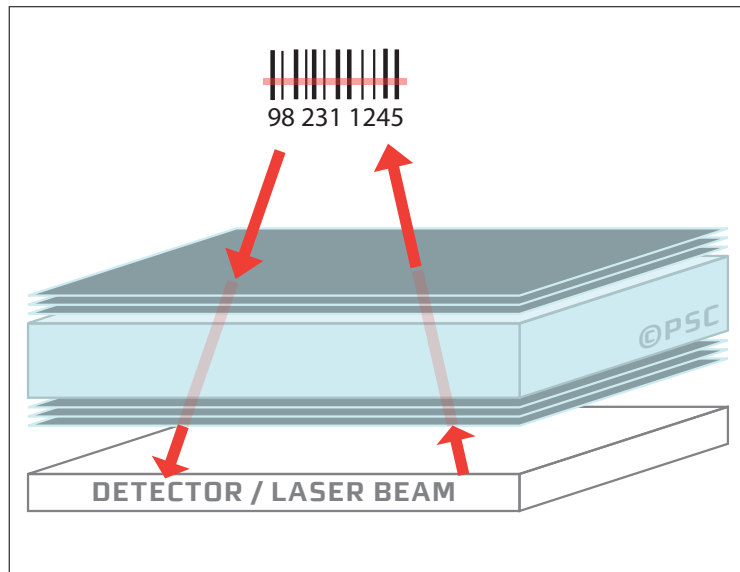
Optimized AR: Red AR

**Very effective anti-reflective (AR) coating  
optimized for maximum performance in  
the red range**



PSC  
ALWAYS IN FRONT

# Technical Specifications



## Optimized AR

The spectral properties of anti reflective coatings for display applications are optimized for the wavelengths visible to the human eye. However, most machine vision applications only benefit from specific wavelengths within the VIS range (red), or longer wavelengths than those of visible light (NIR).

For these applications PSC has developed a range of unique and very effective AR surface treatments called Optimized AR Coatings. The Optimized AR is applied to our acrylic sheet material.

The Optimized AR Coatings are designed to obtain maximum AR performance in the exact application-specific wavelength range. It reduces reflections to an absolute minimum and increases undisturbed transmission in the desired range.

This is highly relevant in certain camera, scanner, and sensor applications.

## Red AR

PSC offers Red AR specially designed for barcode readers and the like. An Optimised AR Coating is applied to one of our red colour filter materials (i.e. Solaris S706). This means that the filter's transmission is improved to almost 100 % in the red range, eliminating almost all signal degradations caused by surface reflections.

## Technical Data

Red transmission, typical	Up to 99%
Reflection*	< 1%, single sided

\* Guaranteed: 660 nm +/- 30 nm.  
Typical 600 to 700 nm